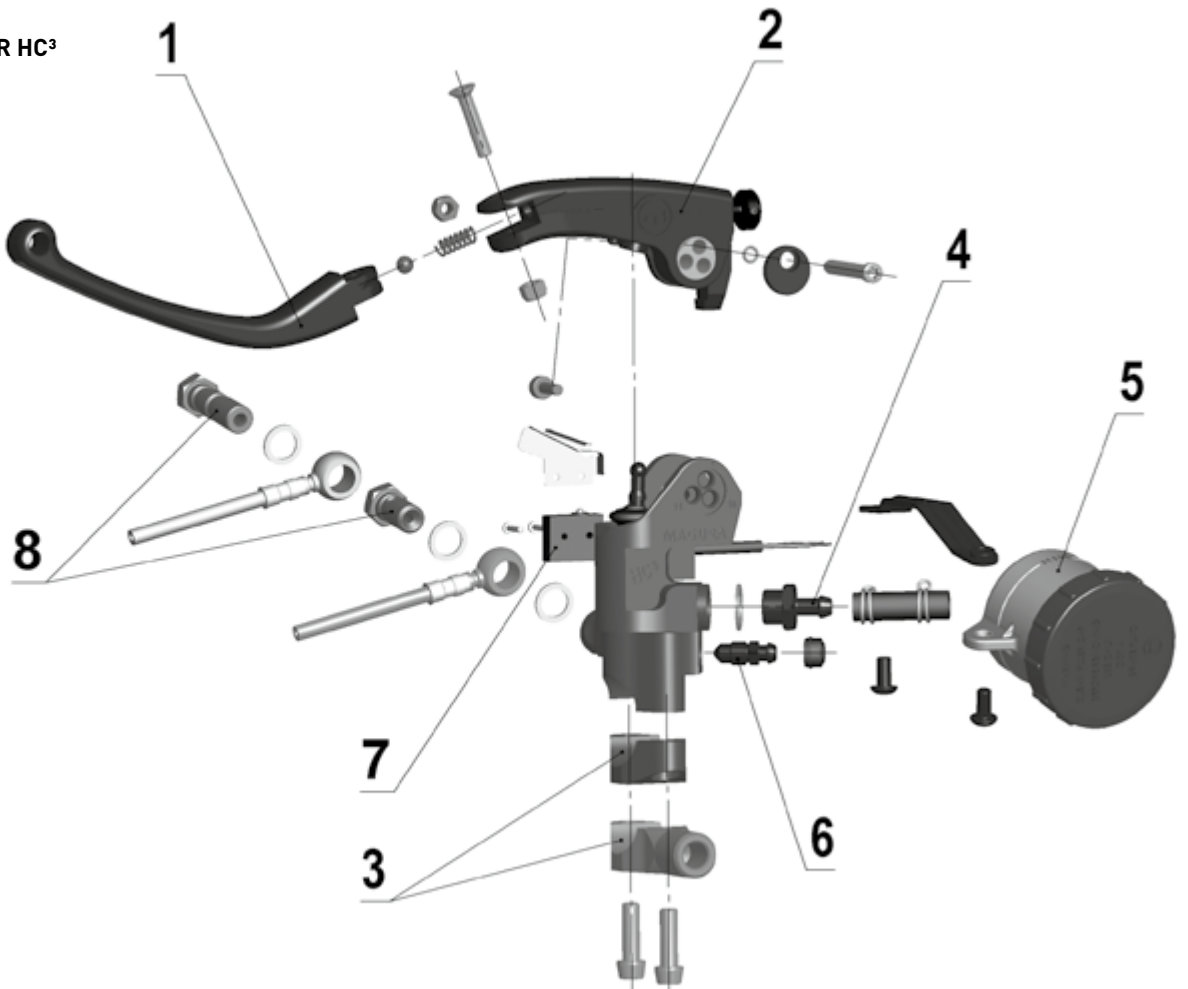


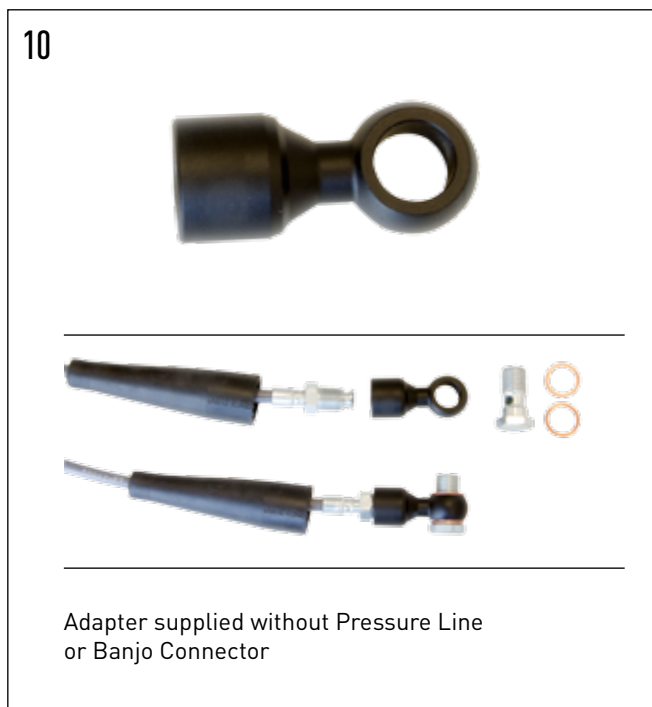
**BRAKE
MASTER CYLINDER HC³**

**CLUTCH
MASTER CYLINDER HC³**



SERVICE

To obtain the full performance from your HC master you will need to return it to MAGURA or to a certified service partner to have it serviced. We recommend a service every 100,000 km or 10 years.



Adapter supplied without Pressure Line or Banjo Connector

HC³ | OPTIONAL AND SPARE PARTS



POSITION	DESCRIPTION	ORDER CODE
1	Folding Lever Blade long L = 193 mm	2700493
	Folding Lever Blade short L = 165 mm	2700494
	Includes retaining bolt, nut, spring and ball	
2	Lever Base – Brake	2700496
	Lever Base – Clutch	2700495
Includes reach adjust, bracket, piston activation rod, bellows and titanium lever securing bolt with self locking nut and o-ring		
3	Clamp	2700484
	Mirror Clamp	2700485
Includes 2 titanium clamp screws		
4	Reservoir Connector	2700486
Includes gasket washer		
5	Reservoir Radial HC Brake 36 ml	2700488
	Reservoir Radial HC Brake 9 ml	2700490
	Reservoir Radial HC Clutch 9 ml DOT	2700491
	Reservoir Radial HC Clutch 9 ml Mineral Oil	2700492
	Suitable for use with HC ¹ , HC ³ and Radial 195. Includes hose, security hose clamp (x2), retaining bracket and bolts.	
6	Bleed Nipple	0720527
Includes dust cover		
7	Switch-Kit Brake	0722213
	Switch-Kit Clutch	2700487
Includes retaining bolts		
8	Banjo Connector	0721786
	Double Banjo Connector (for 2 brake lines)	0721789
Includes gasket washers		
9	Remote Brake Lever Adjuster	2700497
On the fly lever reach adjustment for race track use.		
10	Radial Pressure Line Adapter	2700499
Adapter converts banjo ring from axial to radial connection avoiding the requirement for a new brake or clutch pressure line. Suitable for brake and clutch applications. Suitable for application with MAGURA HYMEC pressure lines		